

LubriMist® Oil Mist Generator Model 'VFP'

IMPROVES MACHINERY RELIABILITY

**LubriMist's® Patented
'Clog Free' Vortex
Mist Head Provides
More Reliability
and Superior Performance.**

- Large Oil and Air Passages
- Efficient Mist generation
- Low Maintenance Requirements
- Adjustable Mist Density and Pressure

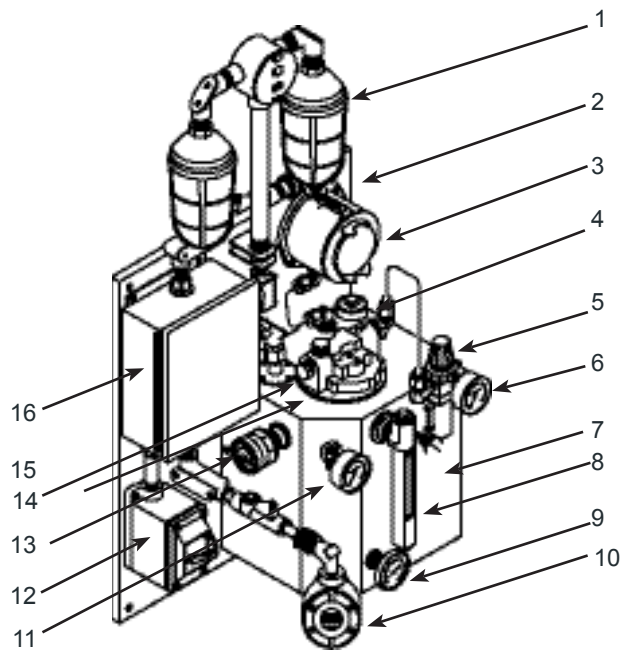
VFP DESIGN FEATURES

- Three-gallon reservoir with pressure relief valve, oil level sight gauge and low level switch.
- Thermostatically controlled immersion oil heater and reservoir mounted oil temperature gauge.
- High / low mist pressure switch.
- Air pressure regulator with gauge and auto drain air filter.
- Red and green, highly visible, operating status lights.
- Reservoir and mounting panel of heavy gauge steel construction with high build epoxy primer polyurethane finish coat.
- Electrical power switch and terminal enclosure with common remote alarm relay.
- Available with 40, 100, 300, or 500 bearing inch generator head.

The VFP panel mounted oil mist generator includes monitoring features and is designed for use in intermediate size systems in Class 1, Group D, Division 2 areas.



Model 'VFP' LubriMist® Oil Mist Generator

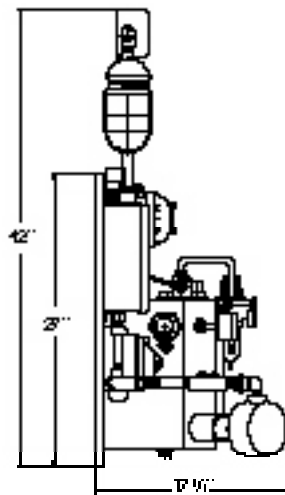


LEGEND

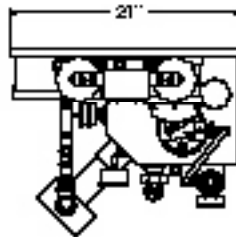
- 1 OPERATING STATUS LIGHTS
- 2 MOUNTING PANEL
- 3 MIST PRESSURE SWITCH
- 4 MIST OUTLET -2" NPT
- 5 AIR PRESSURE REGULATOR WITH GAUGE AND AUTO DRAIN AIR FILTER
- 6 FILL PORT
- 7 THREE GALLON RESERVOIR
- 8 OIL LEVEL GAUGE
- 9 OIL TEMPERATURE GAUGE
- 10 IMMERSION OIL HEATER WITH THERMOSTAT
- 11 MIST PRESSURE GAUGE
- 12 ON/OFF SWITCH
- 13 PRESSURE RELIEF VALVE
- 14 VORTEX OIL MIST GENERATING HEAD
- 15 LOW OIL LEVEL SWITCH
- 16 ELECTRICAL ENCLOSURE

OPTIONAL:

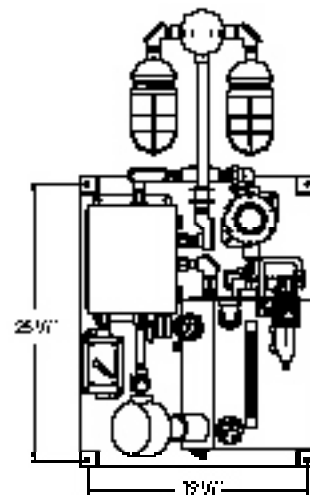
- Aluminum or fiber glass single door enclosure
- Mounting stand
- Back-up unit



SIDE VIEW



PLAN VIEW



FRONT VIEW

FOR SALES, 24 HOUR SERVICE OR TECHNICAL INFORMATION;



1740 Stebbins Drive
 HOUSTON, TEXAS 77224-9294
 713.464.6266 • FAX 713.464.9871 • 800.800.LUBE
www.lsc.com